



TO PROTECT **CASH AND VALUABLES** FROM BURGLARY

The first manufacturer in India to be awarded the AAA certification



OPTIMUS

BURGLARY RESISTANT SAFE

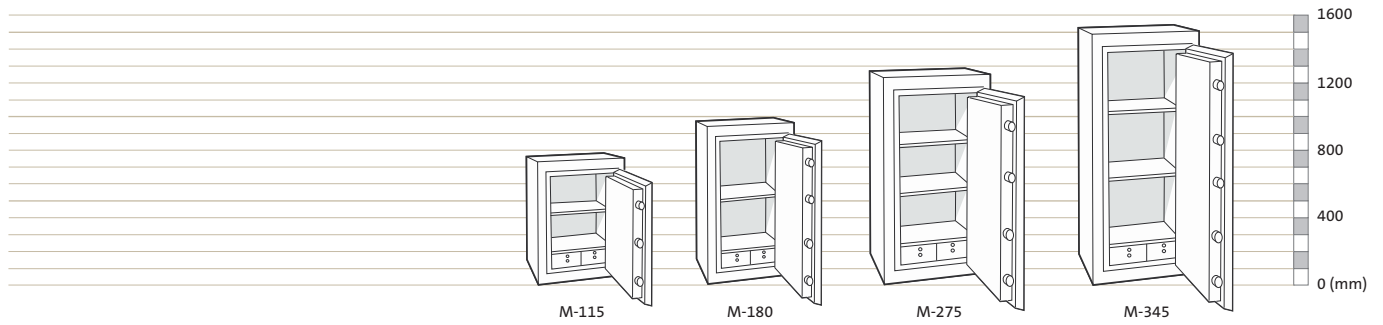


KEY FEATURES

- Best in class protection against burglary
- Torch and Tool resistant
- Ideal for high-security applications like gold loans, jewellery storage and protection
- BIS Certified and Labelled for A, A+, AAA as per IS 550-2014
- Designed to withstand the most intense attack

OPTIMUS

PRODUCT SPECIFICATIONS



BIS Class	Model	External height (mm)	External width (mm)	External depth (mm)	Internal height (mm)	Internal width (mm)	Internal depth (mm)	Volume (litres)	Weight (kg)
A	M-180	1090	740	737	850	500	420	179	1400
A	M-275	1280	740	857	1040	500	530	276	1700
A	M-345	1540	740	857	1300	500	530	345	2100
A+	M-275	1320	780	894	1040	500	530	276	1900
A+	M-345	1580	780	894	1300	500	530	345	2300
AA	M-180	1170	820	815	850	500	420	179	1650
AA	M-275	1360	820	925	1040	500	530	276	2350
AA	M-345	1620	820	925	1300	500	530	345	2750
AAA	M-115	910	860	852	550	500	420	116	1500
AAA	M-180	1210	860	852	850	500	420	179	2200
AAA	M-275	1400	860	962	1040	500	530	276	2700
AAA	M-345	1660	860	962	1300	500	530	345	3100

Since safes are of highest standards and weight approximately 2.75 & 2.35 tonnes, the load bearing capacity of the floor / installation site has to be ensured by customer.

Note: Tolerance on dimension +/- 5mm and Tolerance on weight +/- 10%



LOCK OPTIONS

Fitted with a key lock as standard. Can be equipped with a mechanical combination lock, electronic lock or biometric lock as optional.

PAN INDIA SERVICE AND INSTALLATION NETWORK*

TESTING & POLICY

Rigorous tests conducted for superior barrier strength to withstand even the most advanced attacks.

BEST-IN-CLASS DESIGN AND BUILD QUALITY, MADE IN INDIA

Authorised Chubbsafes Reseller

Gunnebo India Pvt. Ltd
 Unit No. 102, 1st Floor, Akruiti SMC,
 LBS Marg, Khopat. Thane - 400601,
 Maharashtra, India
 Tel. +91 22 6780 3500 Fax: +91 22 6780 3535
 For more information call 1800 22 3525, 1800 209 3040 (Toll Free), 022 6780 3600 or
 Email us at customercare.india@gunnebo.com

www.chubbsafes.com